

PRODUCT SPECIFICATION

SPEC. NO.

T-06107-006



1. Scope

This specification applies Ferrite Power Inductors PME3015-Series to be delivered to user.

2. Product Identification

PME 3015 - 4R7 □ - T

(1) (2) (3) (4) (5)

(1) Product name

(2) Shapes and dimensions

(3) Inductance

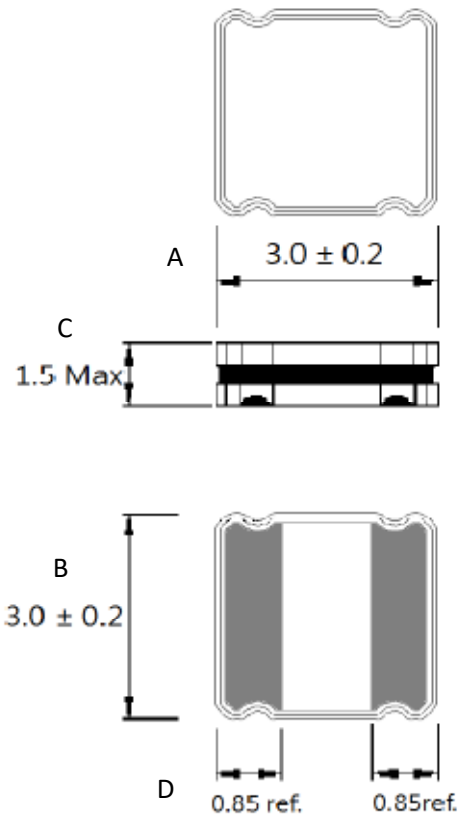
4R7 : 4.7 uH

(4) Tolerance

M=±20%

(5) Taping Type

3. Shapes and Dimensions






A : 3.0±0.2 mm

B : 3.0±0.2 mm

C : 1.5 Max mm

D : 0.85 ref. mm

Drawn by	Checked by	Approved by
 Nov. 28. 2022	 Nov. 28. 2022	 Nov. 28. 2022

PRODUCT SPECIFICATION

SPEC. NO.

T-06107-006



4. Electrical Characteristics

Customer Part Number	Our Product Part Number	Inductance (uH)	Tolerance (±%)	RDC(mΩ)		Isat(A)		Irms(A)	
				Typ.	Max.	Typ.	Max.	Typ.	Max.
	PME3015-R47□-T	0.47	M	21	27	9.0	8.0	5.8	5.0
	PME3015-R68□-T	0.68	M	27	35	9.0	8.0	4.8	4.1
	PME3015-1R0□-T	1.0	M	34	42	6.3	5.8	4.2	3.8
	PME3015-1R5□-T	1.5	M	40	46	4.8	4.4	4.0	3.5
	PME3015-2R2□-T	2.2	M	75	85	4.0	3.6	2.8	2.4
	PME3015-3R3□-T	3.3	M	105	120	3.6	3.3	2.4	2.1
	PME3015-4R7□-T	4.7	M	130	150	3.3	3.0	2.1	1.8
	PME3015-6R8□-T	6.8	M	180	200	2.7	2.5	1.7	1.6
	PME3015-100□-T	10	M	240	270	2.4	2.2	1.6	1.5

1. When ordering, please specify tolerance and packaging codes. Ex: PME3015-4R7M-T
Tolerance : M=±20%
2. Test Frequency:1MHz/1V
L : HP-4286A
Rdc : HP-4286A,CH16502
SRF : HP-4291B, HP-4287A
3. Isat : Based on Inductance decrease 30%
4. Irms : Based on Temperature increase 40°C
5. Operating temperature range from -40°C to 105°C (Including self-temperature rise)
6. Storage Temp.: -10°C~+40°C (RH 65% max)