

PRODUCT SPECIFICATION

SPEC. NO.

T-0627-124D



1. Scope

This specification applies Ferrite Power Inductance PIS3D18P-Series to be delivered to user.

2. Product Identification

PIS 3D18P - 820 □ - T

(1) (2) (3) (4) (5)

(1) Product name

(2) Shapes and dimensions

(3) Inductance

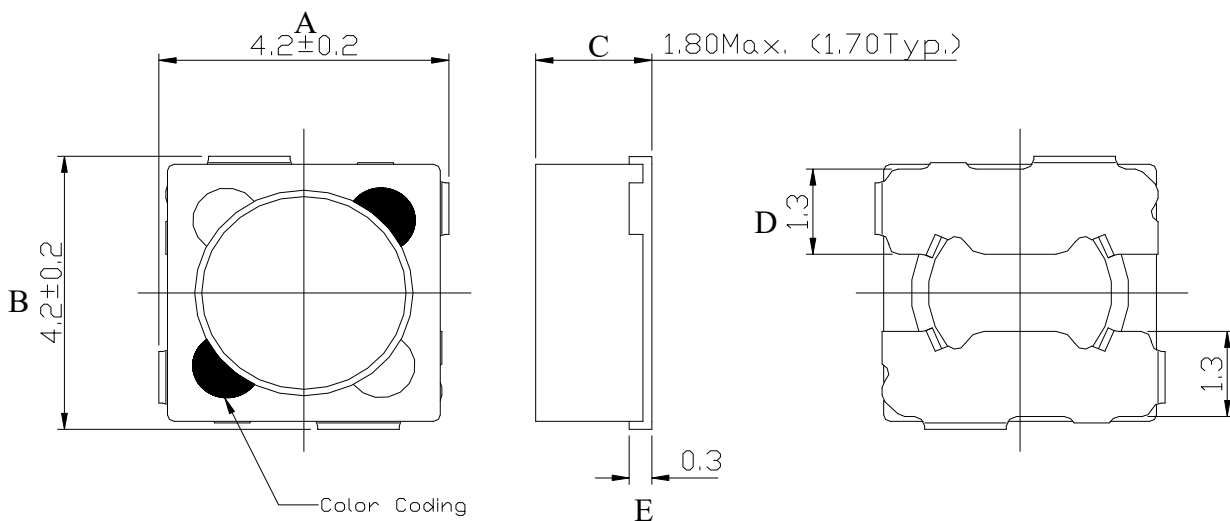
820 : 82 uH

(4) Tolerance

M=±20% , N=±30%

(5) Taping Type

3. Shapes and Dimensions



A: 4.2 ± 0.2 mm

B: 4.2 ± 0.2 mm

C:1.80 Max. (1.70Typ.)mm

D:1.3 mm

E:0.3 mm

Drawn by	Checked by	Approved by
<i>Chen</i> Aug. 2, 2022	<i>Zheng</i> Aug. 2, 2022	<i>[Signature]</i> Aug. 2, 2022

PRODUCT SPECIFICATION

SPEC. NO.

T-0627-124D



4. Electrical Characteristics

Customer Part Number	Our Product Part Number	Inductance (uH)/KHz	Inductance Tolerance	Rdc Typ (Ω)	Idc Typ (mA)		Irms Typ (mA) T ↑ 25°C	Color Coding
					L ↓ 10%	L ↓ 35%		
	PIS3D18P-R27□-T	0.27/1	M N	0.019	2900	5000	4600	Red
	PIS3D18P-R47□-T	0.47/1	M N	0.029	2700	4000	3600	Blue
	PIS3D18P-R68□-T	0.68/1	M N	0.032	2600	3500	3000	Gray
	PIS3D18P-1R0□-T	1.0/1	M N	0.038	2600	3200	2400	Black
	PIS3D18P-1R2□-T	1.2/1	M N	0.044	2400	3000	2200	Brown
	PIS3D18P-1R5□-T	1.5/1	M N	0.050	2200	2700	2200	Red
	PIS3D18P-1R8□-T	1.8/1	M N	0.058	1900	2400	2000	Orange
	PIS3D18P-2R2□-T	2.2/1	M N	0.062	1800	2200	1900	Yellow
	PIS3D18P-2R7□-T	2.7/1	M N	0.068	1700	2100	1800	Green
	PIS3D18P-3R3□-T	3.3/1	M N	0.080	1500	1880	1650	Blue
	PIS3D18P-3R9□-T	3.9/1	M N	0.084	1400	1800	1560	Violet
	PIS3D18P-4R7□-T	4.7/1	M N	0.099	1220	1460	1400	Gray
	PIS3D18P-5R6□-T	5.6/1	M N	0.110	1160	1480	1300	White
	PIS3D18P-6R8□-T	6.8/1	M N	0.128	1020	1260	1200	Black
	PIS3D18P-8R2□-T	8.2/1	M N	0.146	1000	1240	1150	Brown
	PIS3D18P-100□-T	10.0/1	M /	0.165	900	1100	1050	Red
	PIS3D18P-120□-T	12.0/1	M /	0.254	840	1000	800	Orange
	PIS3D18P-150□-T	15.0/1	M /	0.320	740	880	720	Yellow

PRODUCT SPECIFICATION

SPEC. NO.

T-0627-124D



4. Electrical Characteristics

Customer Part Number	Our Product Part Number	Inductance (uH)/KHz	Inductance Tolerance	Rdc Typ (Ω)	Idc Typ (mA)		Irms Typ (mA) T ↑ 25°C	Color Coding
					L ↓ 10%	L ↓ 35%		
	PIS3D18P-180□-T	18.0/1	M	0.360	700	840	680	Green
	PIS3D18P-220□-T	22.0/1	M	0.418	600	740	650	Blue
	PIS3D18P-270□-T	27.0/1	M	0.450	560	700	600	Violet
	PIS3D18P-330□-T	33.0/1	M	0.620	460	580	580	Gray
	PIS3D18P-390□-T	39.0/1	M	0.650	450	560	480	White
	PIS3D18P-470□-T	47.0/1	M	0.790	430	520	450	Black
	PIS3D18P-560□-T	56.0/1	M	0.862	380	480	400	Brown
	PIS3D18P-680□-T	68.0/1	M	1.000	300	400	360	Red
	PIS3D18P-820□-T	82.0/1	M	1.280	280	360	340	Orange
	PIS3D18P-101□-T	100/1	M	1.380	260	320	360	Yellow
	PIS3D18P-151□-T	150/1	M	2.410	180	240	320	Yellow
	PIS3D18P-181□-T	180/1	M	3.420	180	240	290	Violet
	PIS3D18P-221□-T	220/1	M	3.900	150	230	290	Red
	PIS3D18P-331□-T	330/1	M	5.170	140	180	240	Orange
	PIS3D18P-471□-T	470/1	M	8.420	120	150	190	Green
	PIS3D18P-681□-T	680/1	M	10.300	100	130	160	Blue
	PIS3D18P-102□-T	1000/1	M	15.200	80	100	130	Black
	PIS3D18P-152□-T	1500/1	M	25.000	70	90	100	Black

PRODUCT SPECIFICATION

SPEC. NO.

T-0627-124D

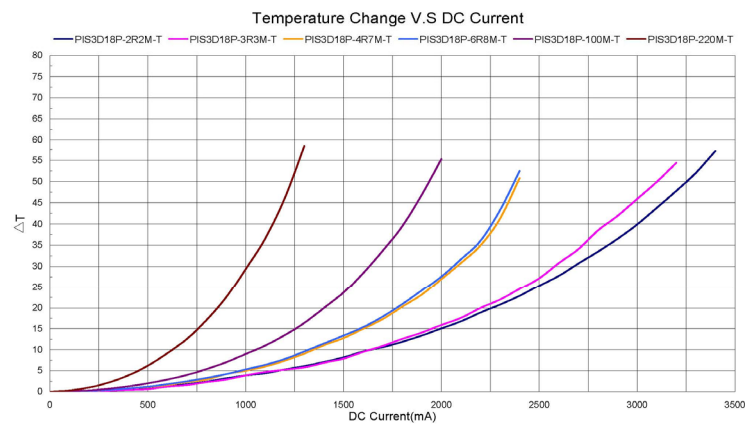
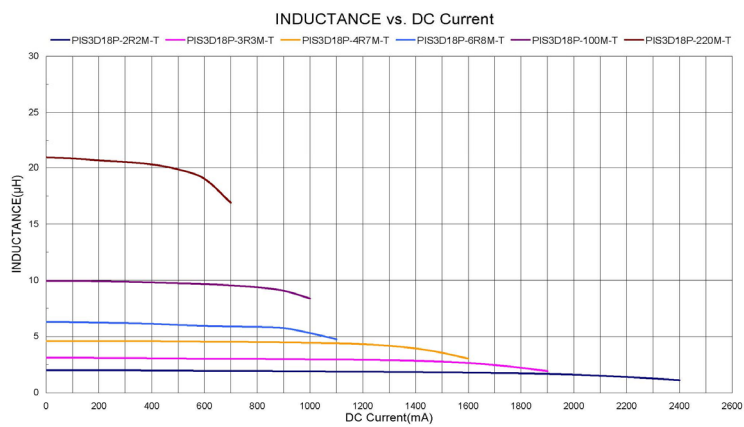
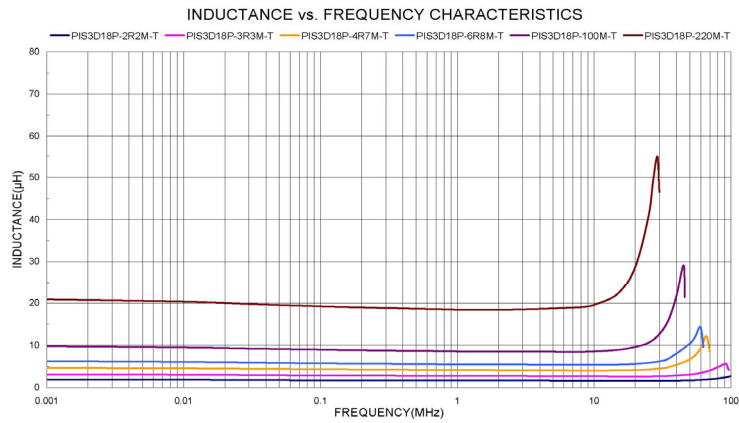


1. When ordering, please specify tolerance and packaging codes. Ex : PIS3D18P-820M-T
Tolerance : $M=\pm 20\%$, $N = \pm 30\%$
Packaging : Clear tape and reel { standard }.
2. L, Idc : Agilent/HP 4284A , 1KHz with 1V.
3. Rdc : DIGITAL MILLIOHM METER Chroma 16502, or equivalent. (Typ: $\pm 30\%$ tolerance)
4. Idc for Inductance drop 10% or 35% from its value without current.
5. Irms for a 25°C rise above 25°C ambient.
6. Operating temperature range from -40°C to 125°C .

PRODUCT SPECIFICATION

SPEC. NO.

T-0627-124D



5. Material list

Item	Material
Core	Ferrite core
Wire	Copper wire
Epoxy	Epoxy
Base	Copper
Terminal	Cu / Ni / Sn