

# PRODUCT SPECIFICATION

SPEC. NO.

T-0627-140D



## 1. Scope

This specification applies Ferrite Power Inductance PIS3D15P-Series to be delivered to user.

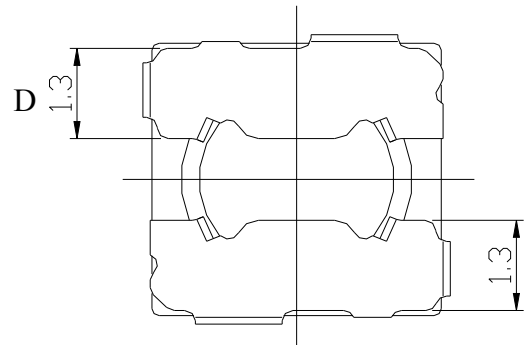
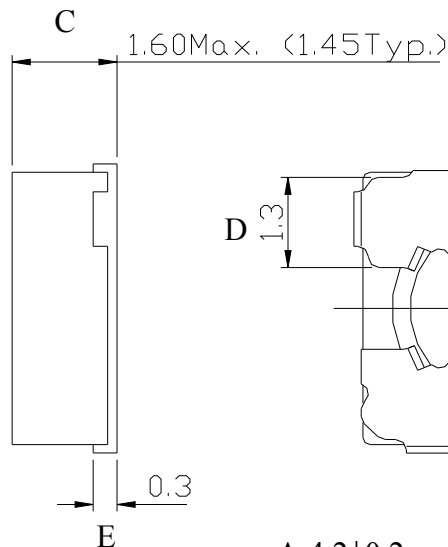
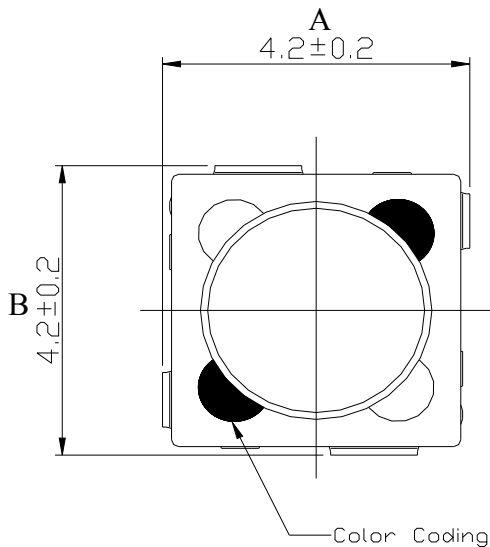
## 2. Product Identification

PIS 3D15P - 6R8 □ - T

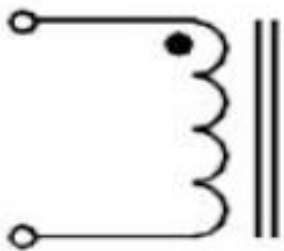
(1) (2) (3) (4) (5)

- (1) Product name
- (2) Shapes and dimensions
- (3) Inductance  
6R8 : 6.8 uH
- (4) Tolerance  
M=±20% , N=±30%
- (5) Taping Type

## 3. Shapes and Dimensions



A: 4.2±0.2 mm  
B: 4.2±0.2 mm  
C: 1.60 Max. (1.45 Typ.) mm  
D: 1.3 mm  
E: 0.3 mm



Drawn by	Checked by	Approved by
Cindy Nov. 26. 2019	Zheny Nov. 26. 2019	Sun Nov. 26. 2019

# PRODUCT SPECIFICATION

SPEC. NO.

T-0627-140D



## 4. Electrical Characteristics

Customer Part Number	Our Product Part Number	Inductance (uH)/KHz	Inductance Tolerance	Rdc Typ (Ω)	Idc Typ (mA)		Irms Typ (mA) T ↑ 25°C	Color Coding
					L ↓ 10%	L ↓ 35%		
	PIS3D15P-R50□-T	0.5/1	$\frac{M}{N}$	0.035	3100	3900	2500	Black
	PIS3D15P-1R0□-T	1.0/1	$\frac{M}{N}$	0.040	2300	3000	2400	Black
	PIS3D15P-1R2□-T	1.2/1	$\frac{M}{N}$	0.043	2200	2800	2340	Brown
	PIS3D15P-1R5□-T	1.5/1	$\frac{M}{N}$	0.050	2000	2600	2300	Red
	PIS3D15P-1R8□-T	1.8/1	$\frac{M}{N}$	0.055	1660	2300	2100	Orange
	PIS3D15P-2R2□-T	2.2/1	$\frac{M}{N}$	0.071	1600	2200	2000	Yellow
	PIS3D15P-2R7□-T	2.7/1	$\frac{M}{N}$	0.078	1400	2000	1600	Green
	PIS3D15P-3R3□-T	3.3/1	$\frac{M}{N}$	0.087	1340	2000	1600	Blue
	PIS3D15P-3R9□-T	3.9/1	$\frac{M}{N}$	0.100	1200	1800	1500	Violet
	PIS3D15P-4R7□-T	4.7/1	$\frac{M}{N}$	0.137	1140	1600	1400	Gray
	PIS3D15P-5R6□-T	5.6/1	$\frac{M}{N}$	0.147	1060	1460	1200	White
	PIS3D15P-6R8□-T	6.8/1	$\frac{M}{N}$	0.170	1000	1400	1150	Black
	PIS3D15P-8R2□-T	8.2/1	$\frac{M}{N}$	0.195	940	1280	1100	Brown
	PIS3D15P-100□-T	10.0/1	$\frac{M}{N}$	0.228	900	1160	1020	Red
	PIS3D15P-120□-T	12.0/1	$\frac{M}{N}$	0.275	880	1080	900	Orange
	PIS3D15P-150□-T	15.0/1	$\frac{M}{N}$	0.340	640	860	720	Yellow

# PRODUCT SPECIFICATION

SPEC. NO.

T-0627-140D



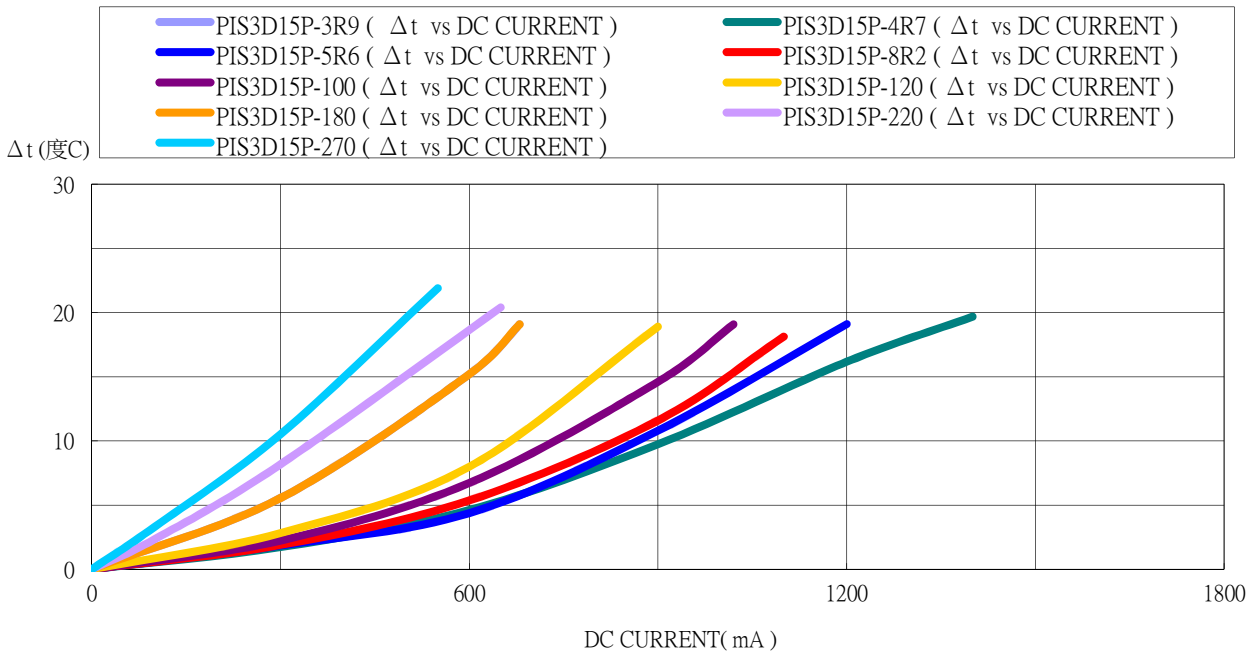
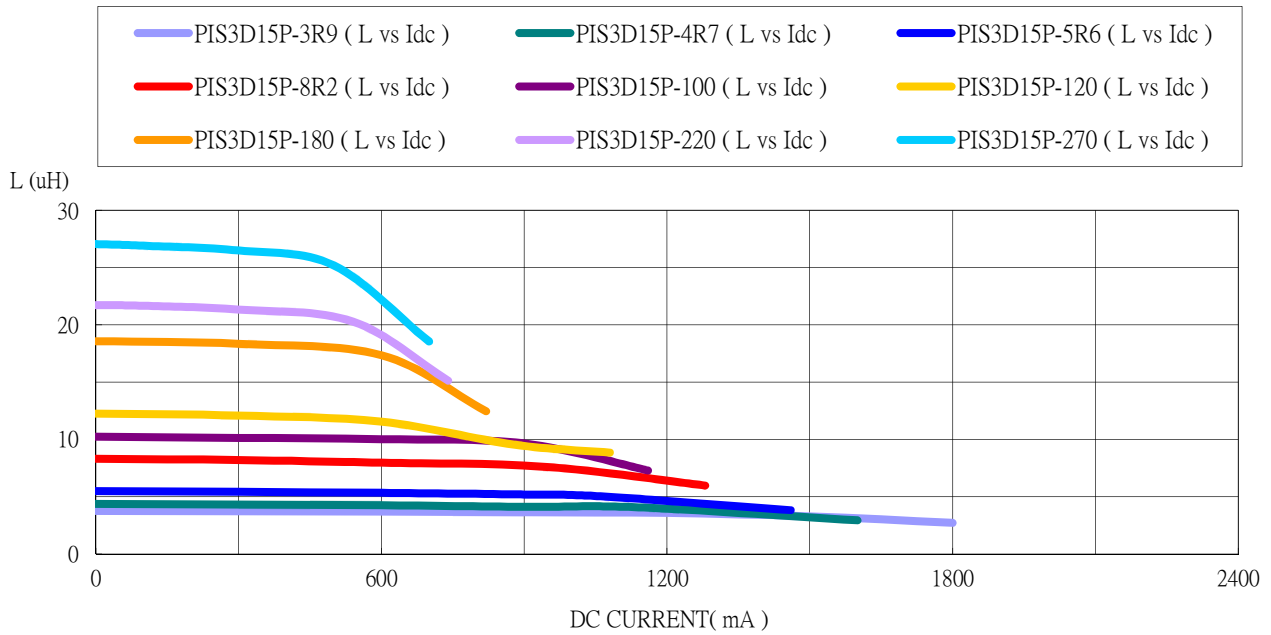
Customer Part Number	Our Product Part Number	Inductance (uH)/KHz	Inductance Tolerance	Rdc Typ (Ω)	Idc Typ (mA)		Irms Typ (mA) T ↑ 25°C	Color Coding
					L ↓ 10%	L ↓ 35%		
	PIS3D15P-180□-T	18.0/1	M	0.380	600	820	680	Green
	PIS3D15P-220□-T	22.0/1	M	0.495	540	740	650	Blue
	PIS3D15P-270□-T	27.0/1	M	0.735	500	700	550	Violet
	PIS3D15P-330□-T	33.0/1	M	0.890	460	580	480	Gray
	PIS3D15P-390□-T	39.0/1	M	1.000	400	560	420	White
	PIS3D15P-470□-T	47.0/1	M	1.150	340	520	350	Black
	PIS3D15P-102□-T	1000/1	M	25.000	80	90	100	Black

- When ordering, please specify tolerance and packaging codes. Ex : PIS3D15P-100M-T  
Tolerance : M=±20% , N =± 30%  
Packaging : Clear tape and reel { standard }.
- L, Idc : Agilent/HP 4284A Precision LCR Meter , 1KHz with 1V.
- Rdc : Chroma Milliohmmeter 16502, or equivalent.(Typ: ±30% tolerance)
- Idc for Inductance drop 10% or 35% from its value without current.
- Irms for a 25°C rise above 25°C ambient.
- Operating temperature range from -40°C to 105°C.

# PRODUCT SPECIFICATION

SPEC. NO.

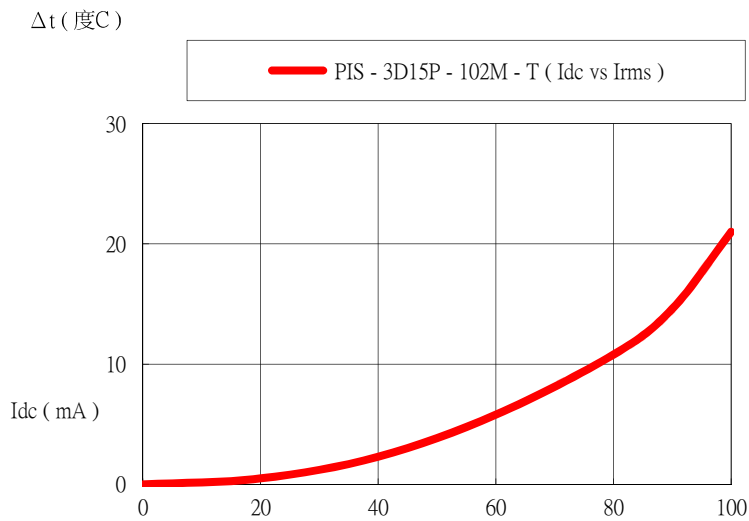
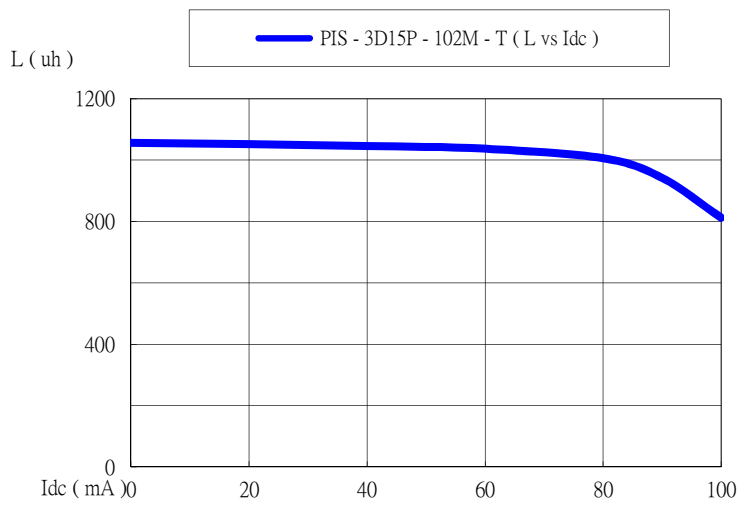
T-0627-140D



# PRODUCT SPECIFICATION

SPEC. NO.

T-0627-140D



## 5. Material list

Item	Material
Core	Ferrite core
Wire	Copper wire
Epoxy	Epoxy
Base	Copper
Terminal	Cu / Ni / Sn