

# PRODUCT SPECIFICATION

SPEC. NO.

T-0648-077C



## 1. Scope

This specification applies Ferrite Power Inductance PIE6045-Series to be delivered to user.

## 2. Product Identification

PIE 6045 - 560 □ - I

(1) (2) (3) (4) (5)

(1) Product name

(2) Shapes and dimensions

(3) Inductance

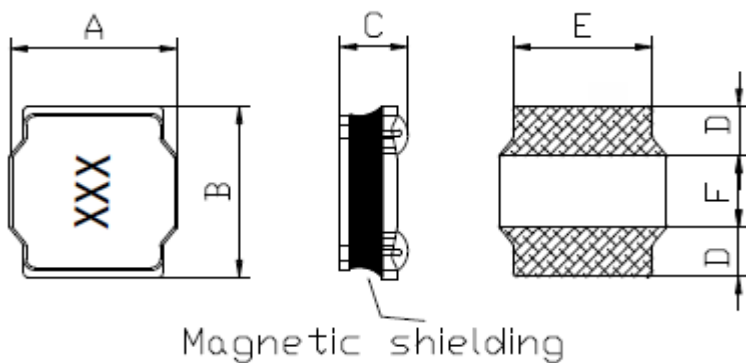
560 : 56 uH

(4) Tolerance


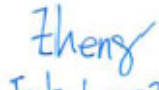
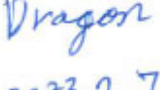
M=±20% , N=±30%

(5) Taping Type

## 3. Shapes and Dimensions



A : 6.0±0.2 mm  
 B : 6.0±0.2 mm  
 C : 4.5 Max mm  
 D : 1.65 Ref. mm  
 E : 4.9 Ref. mm  
 F : 2.7 Ref. mm

Drawn by	Checked by	Approved by
 Feb. 6. 2023	 Feb. 6. 2023	 2023.2.7

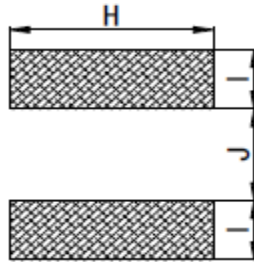
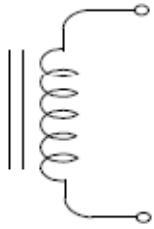
# PRODUCT SPECIFICATION

SPEC. NO.

T-0648-077C



## 3.1 Electrical Schematic & PAD Layout



H : 5.30 mm

I : 2.05 mm

J : 2.4 mm

## 4. Electrical Characteristics

Customer Part Number	Our Product Part Number	Inductance (uH)	Tolerance (±%)	Rdc (mΩ) Max.	Isat (A) Max. L ↓ 30%	Irms (A) Max. T ↑ 40°C	Marking
	PIE6045-1R0□-T	1.0	N	13.0	12.20	6.50	1R0
	PIE6045-1R5□-T	1.5	N	18.0	8.80	4.95	1R5
	PIE6045-1R8□-T	1.8	N	21.6	7.60	4.95	1R8
	PIE6045-2R2□-T	2.2	N	21.6	6.75	4.60	2R2
	PIE6045-3R3□-T	3.3	N	27.0	5.90	3.70	3R3
	PIE6045-4R7□-T	4.7	M,N	33.8	4.97	3.30	4R7
	PIE6045-5R6□-T	5.6	M,N	38.0	4.15	3.15	5R6
	PIE6045-6R8□-T	6.8	M,N	40.0	3.90	3.00	6R8
	PIE6045-8R2□-T	8.2	M,N	56.0	3.90	2.60	8R2
	PIE6045-100□-T	10	M,N	62.0	3.20	2.45	100
	PIE6045-120□-T	12	M,N	75.0	2.80	2.20	120
	PIE6045-150□-T	15	M,N	88.0	2.50	2.05	150
	PIE6045-220□-T	22	M,N	115.7	2.05	1.80	220
	PIE6045-270□-T	27	M,N	133.0	1.90	1.65	270
	PIE6045-330□-T	33	M,N	178.0	1.65	1.45	330
	PIE6045-470□-T	47	M,N	260.0	1.40	1.20	470
	PIE6045-560□-T	56	M,N	350.0	1.30	1.10	560
	PIE6045-680□-T	68	M,N	375.7	1.20	1.00	680
	PIE6045-101□-T	100	M,N	562.9	0.95	0.80	101
	PIE6045-121□-T	120	M,N	629.0	0.85	0.77	121
	PIE6045-151□-T	150	M,N	754.0	0.80	0.70	151
	PIE6045-221□-T	220	M,N	1084.0	0.70	0.59	221
	PIE6045-331□-T	330	M,N	1651.0	0.57	0.57	331
	PIE6045-102□-T	1000	M,N	5850.0	0.30	0.30	102